

Island mounted
Flatline 120 cm
Stainless steel



EAN 5414425076604

Energy label

▪ Energy Efficiency class (EElhood)	A
▪ Annual Energy Consumption (kWh/year) (AEChood)	57,8
▪ Fluid Dynamic Efficiency class (FDEhood)	A
▪ Lighting Efficiency class (LEhood)	A
▪ Grease Filtering Efficiency class (GFEhood)	F

Functions & features

▪ Motor	Integrated
▪ Sound absorber	Integrated
▪ Recirculation	Optional
▪ InTouch function	Optional
▪ Auto stop	▪
▪ Delayed switch off (minutes)	10
▪ Grease filter	7400020
▪ Number of grease filters	1
▪ Grease filter cleaning indication	▪
▪ Recirculation filter cleaning indication	▪
▪ Control method	Push buttons
▪ Number of speeds	3 + power
▪ Automatic Power revert (minutes)	6

Dimensions

▪ Product dimensions exhaust (WxDxHmin-Hmax) (mm)	1200 x 700 x 563 - 730
▪ Product dimensions recirculation (WxDxHmin-Hmax) (mm)	1200 x 700 x 679 - 860
▪ Max height optional chimney [a] exhaust (mm)	1040
▪ Max height optional chimney [b] exhaust (mm)	1350
▪ Max height optional chimney [b] recirculation (mm)	1480
▪ Advised mounting height induction hobs (Hmin-Hmax) (mm)	650 - 850
▪ Advised mounting height gas hobs (Hmin-Hmax) (mm)	650 - 850
▪ Advised mounting height ceramic hobs (Hmin-Hmax) (mm)	600 - 850
▪ Diameter outlet (mm)	150
▪ Position exhaust	Top

Lighting

▪ Functional light dimmable	▪
▪ Soft-ON/OFF	▪
▪ Number of functional lights	4
▪ Total energy consumption functional light (W)	8

Airflow and noise level

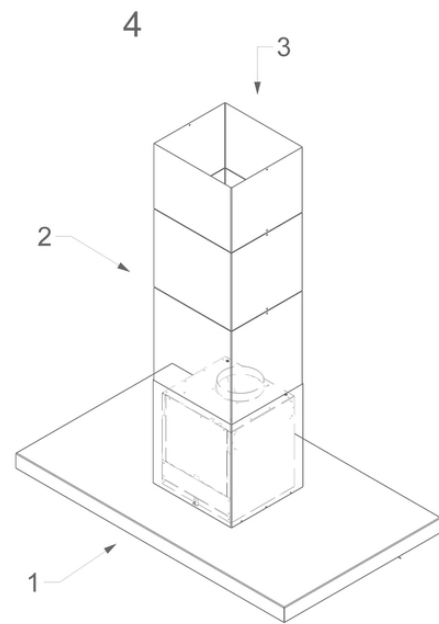
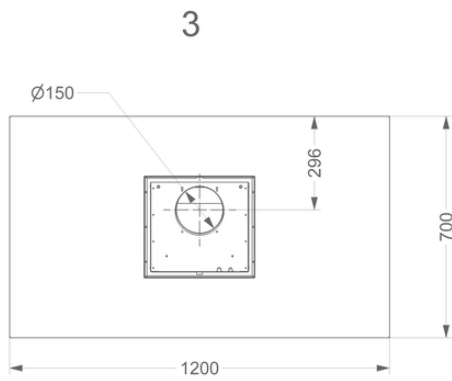
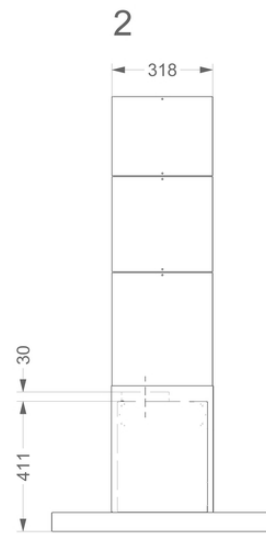
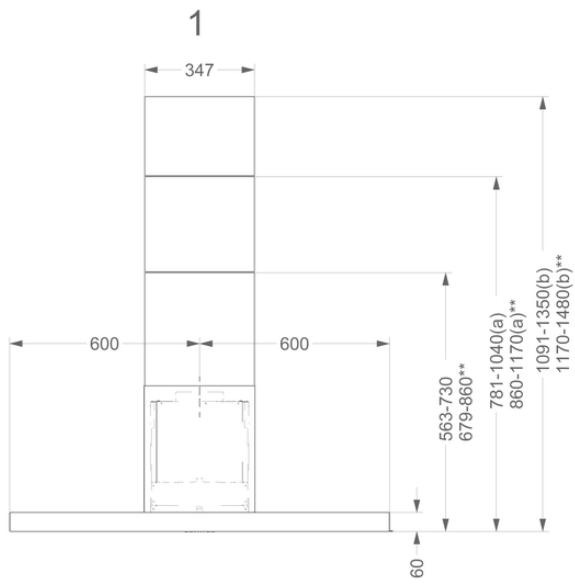
▪ Free airflow (m ³ /h)	1000
▪ Airflow (m ³ /h) measured according to EN 61591	

Airflow and noise level

- Sound regulation according to EN 60704-2-13
- Airflow duct out speed 1 (m³/h) / Max pressure duct out speed 1 (Pa) 219 / 324
- Airflow duct out speed 2 (m³/h) / Max pressure duct out speed 2 (Pa) 302 / 470
- Airflow duct out speed 3 (m³/h) / Max pressure duct out speed 3 (Pa) 459 / 496
- Airflow duct out max powerspeed (m³/h) (Qboost) / Max pressure duct out744 / 511
max powerspeed (Pa)
- Sound pressure duct out speed 1 (dB(A)) / Sound power duct out speed 32 / 47
1 (dB(A))
- Sound pressure duct out speed 2 (dB(A)) / Sound power duct out speed 36 / 51
2 (dB(A))
- Sound pressure duct out speed 3 (dB(A)) / Sound power duct out speed 41 / 57
3 (dB(A))
- Sound pressure duct out at max powerspeed (dB(A)) / Sound power duct 51 / 65
out at max powerspeed (dB(A)) (LWAboost)

Technical specifications

- | | |
|---|------|
| ▪ Maximum power (W) | 300 |
| ▪ Voltage cooker hood (V) | 230 |
| ▪ Frequency (Hz) | 50 |
| ▪ Power consumption in stand-by-mode (Ps) (W) | 0.25 |
| ▪ Net weight (kg) | 42 |
| ▪ Length power supply cable (m) | 1,3 |



Installation accessories

Back panel & chimney extensions

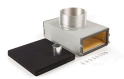
- 7640100 Chimney extension option A stainless steel
- 7640101 Chimney extension option B stainless steel

Additional accessories

- 840029 Remote control

Accessories

Recirculation kit



7640400

Recirculation set Novy Flatline island

Control kit



990030

Control kit for external lighting or valve

